

4 ALL THREAD DETAIL
NTS

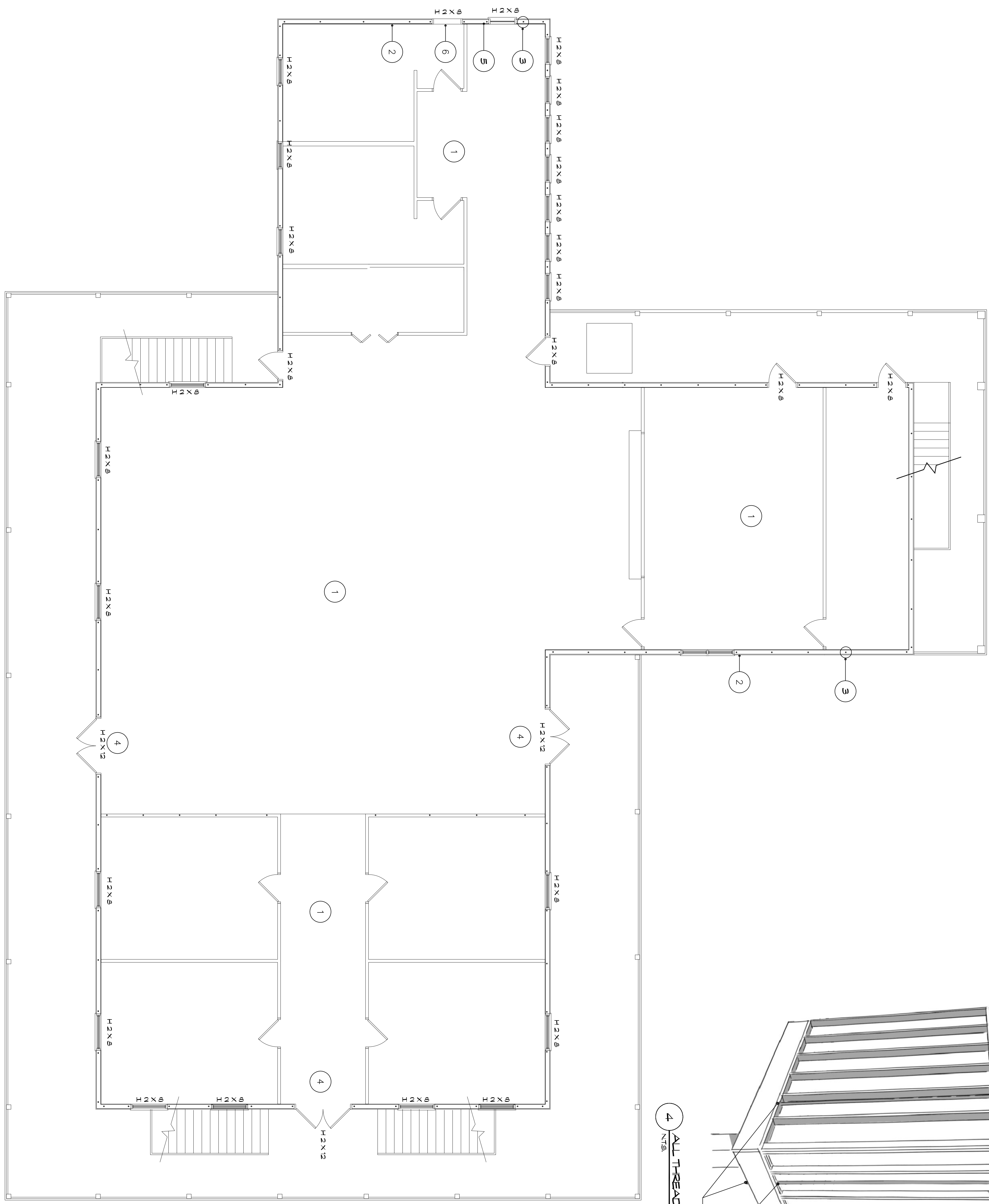
- REFERENCE NOTES
1. ALL SHEATHING APPLICATIONS SHALL BE RIBBING OR SPIRAL SHANK, HOT DIPPED GALVANIZED HAND OR GUN DRIVEN
 2. SIDE WALLS - ALL SHEATHING TO BE 7/16" OSB (MINIMUM 2x12 ROWS 3' O.C. ON TOP AND (1) ROW ON BOTTOM OF WALL 6" B.C. ALL OTHER EDGES AND FIELD JOINTS) B.C. (MINIMUM 2x12 WALL SHEATHING)
 3. ALL THREAD BOLTS: SEE DETAIL 2A1.2
 4. HEADERS AT EXTERIOR DOORS MINIMUM 2x12 W/SPACER WITH THREE KINGS & TWO JACKS AT BOTH ENDS. CONTRACTOR TO VERIFY HEADER TO EXTEND WIDTH OF CORRIDOR (SEE OWNER)
 5. OWNER TO VERIFY LOCATION OF FUTURE OPENING AND HEADER

GENERAL NOTES

HEADER SCHEDULE		
TAG	HEADER FASTENERS	JACK STUDS
H 2 X 8	2-2X8 W/1/2" SPACER	(6) 18D END NAIL KING STUD TO HDR @ EA. END
H 2X12	2-2X12 W/ SPACER	(6) 18D END NAIL 3 KING STUD TO HDR @ EA. END

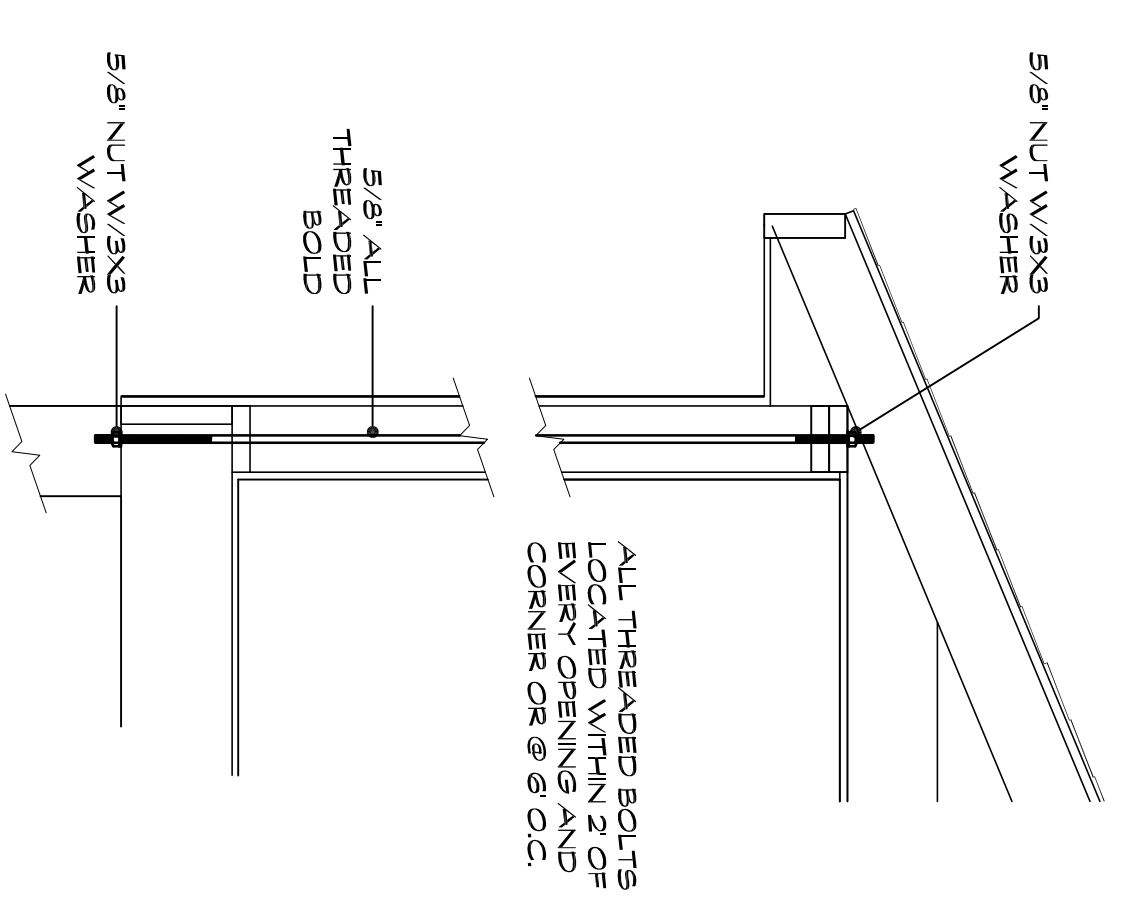
* HEADERS 4' OR LESS IN LENGTH MAY HAVE (1) JACK POST @ EACH END - HEADER SIZES SHOWN ARE MINIMUM REQUIRED

3 HEADER SCHEDULE
NTS



1 SHEAR DETAIL
SCALE 3/16"=1'-0"

2 ALL THREAD BOLT DETAIL
SCALE 3/4"=1'-0"



ALL THREADED BOLTS LOCATED WITHIN 2' OF EVERY OPENING AND CORNER OR 9' O.C.

LAKESHORE BAPTIST CHURCH
FELLOWSHIP HALL AND
CLASSROOMS

SHEAR DETAIL PLAN AND NOTES

DATE: 07/28/11
SCALE: 3/16"=1'-0"
DRAWN BY: M. MADISON
JOB: 2011-101